

60" x 32"
(1524mm x 813mm)

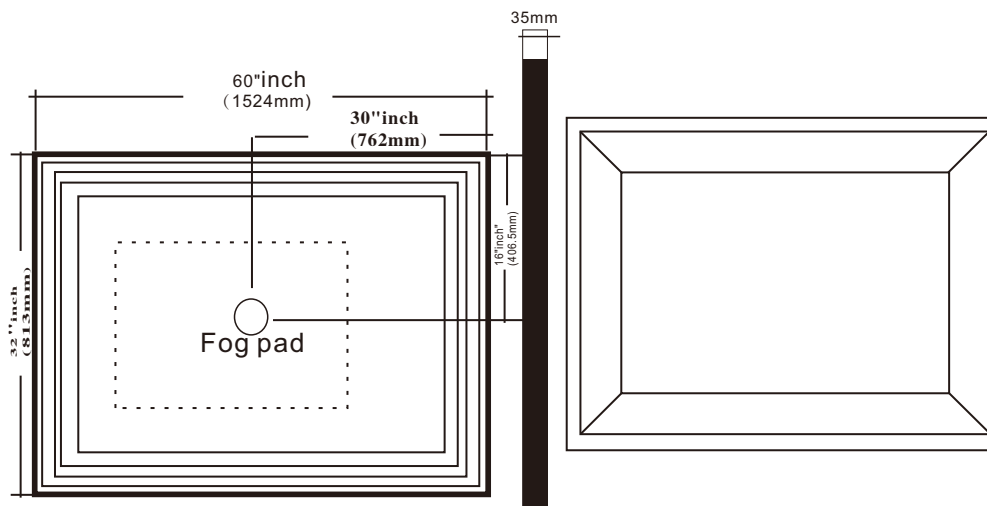


CARACTERISTIQUES

Product code	PD60X32BF
Packing size	1650*940*115MM
Weight	24.9KG
Anti-fog	include
Thickness of mirror	5mm
Frame type	Noir (black)
Sans cade	Black frame
Waterproof/Resistance à l'eau:Ip44	

SPECIFICATIONS ELECTRIQUES

Power rating	60W
Volts	110V
Lumens	4400 lm
Kelvin for 3 types	3000K/4500K/6000K
Frequency	50HZ



○ Power code

□ Polished glass

⋯ Fog pad