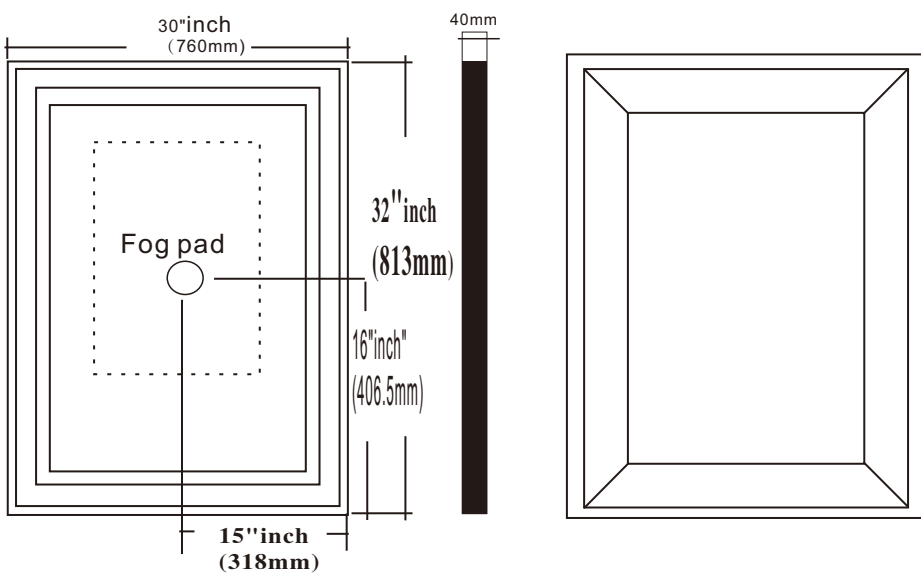


CARACTERISTIQUES	
Product code	PD30X32FL
Packing size	905*855*95MM
Weight	12.5KG
Anti-fog	include
Thickness of mirror	5mm
Frame type	Noir (black)
Sans cadre	Frameless
Waterproof/Resistance à l'eau:Ip44	

SPECIFICATIONS ELECTRIQUES	
Power rating	36W
Volts	110V
Lumens	3120 lm
Kelvin for 3 types	3000K/4500K/6000K
Frequency	50HZ



○ Power code □ Polished glass ▤ Fog pad