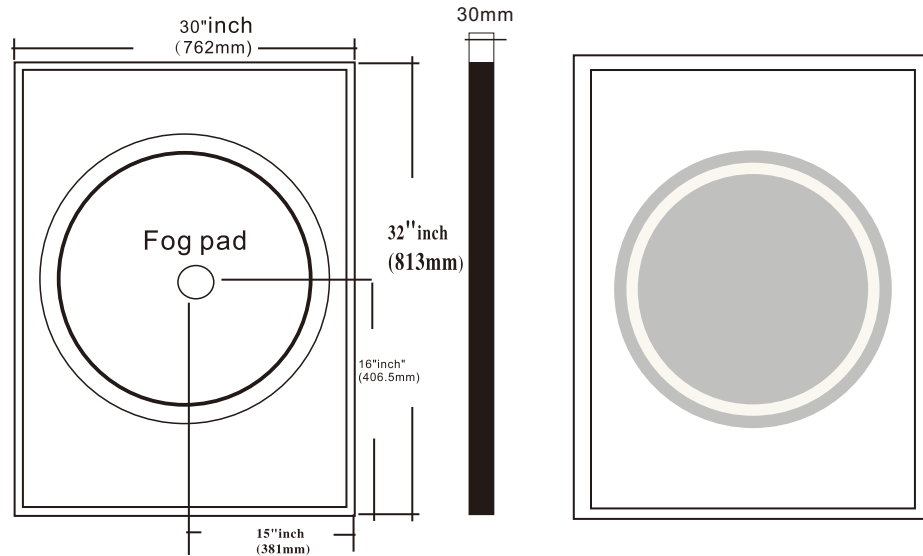


CARACTERISTIQUES

Product code	PD30RFL
Packing size	850*860*95MM
Weight	9.3KG
Anti-fog	include
Thickness of mirror	5mm
Frame type	Noir (black)
Sans cade	Frameless
Waterproof/Resistance à l'eau:Ip44	

SPECIFICATIONS ELECTRIQUES

Power rating	36W
Volts	110V
Lumens	2640 lm
Kelvin for 3 types white	3000K/4500K/6000K
Frequency	50HZ



○ Power code

○ Polished glass

○ Fog pad