

Specifications

DESCRIPTION

- Stainless Steel construction
- Includes Red/Blue indicators

FLOW

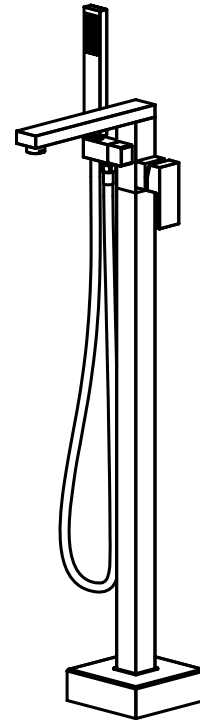
- Showerhand is limited to 2.5gpm(9.5L/min) at 80psi
- Bathtub spout is minimum to 2.4gpm(9.0L/min) at 20psi

CARTRIDGE

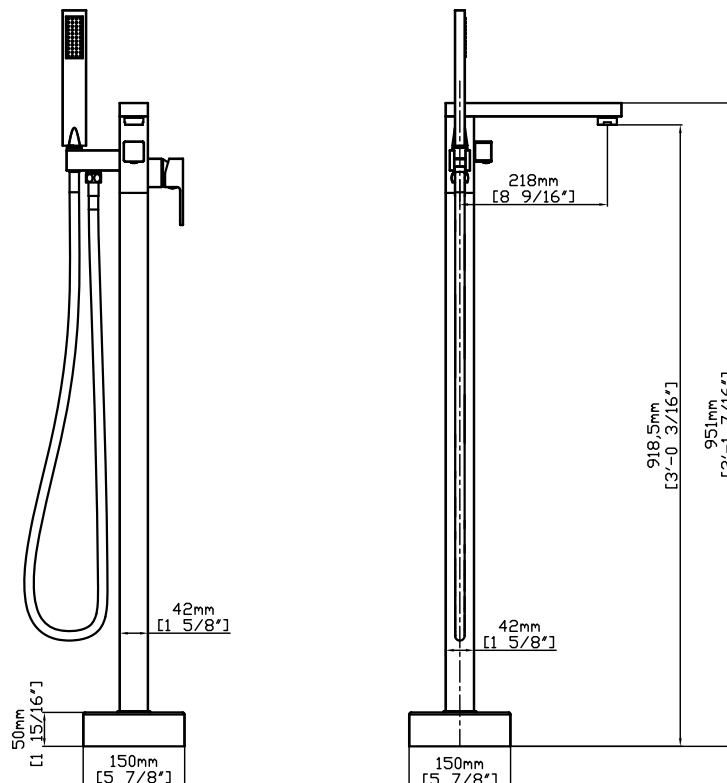
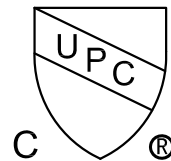
- Ceramic disk cartridge

STANDARDS

- Certified to CUPC



Bathtub Filler Standing Faucet



Note: Dimensions are for reference only. Detailed information is in accordance with the final product.